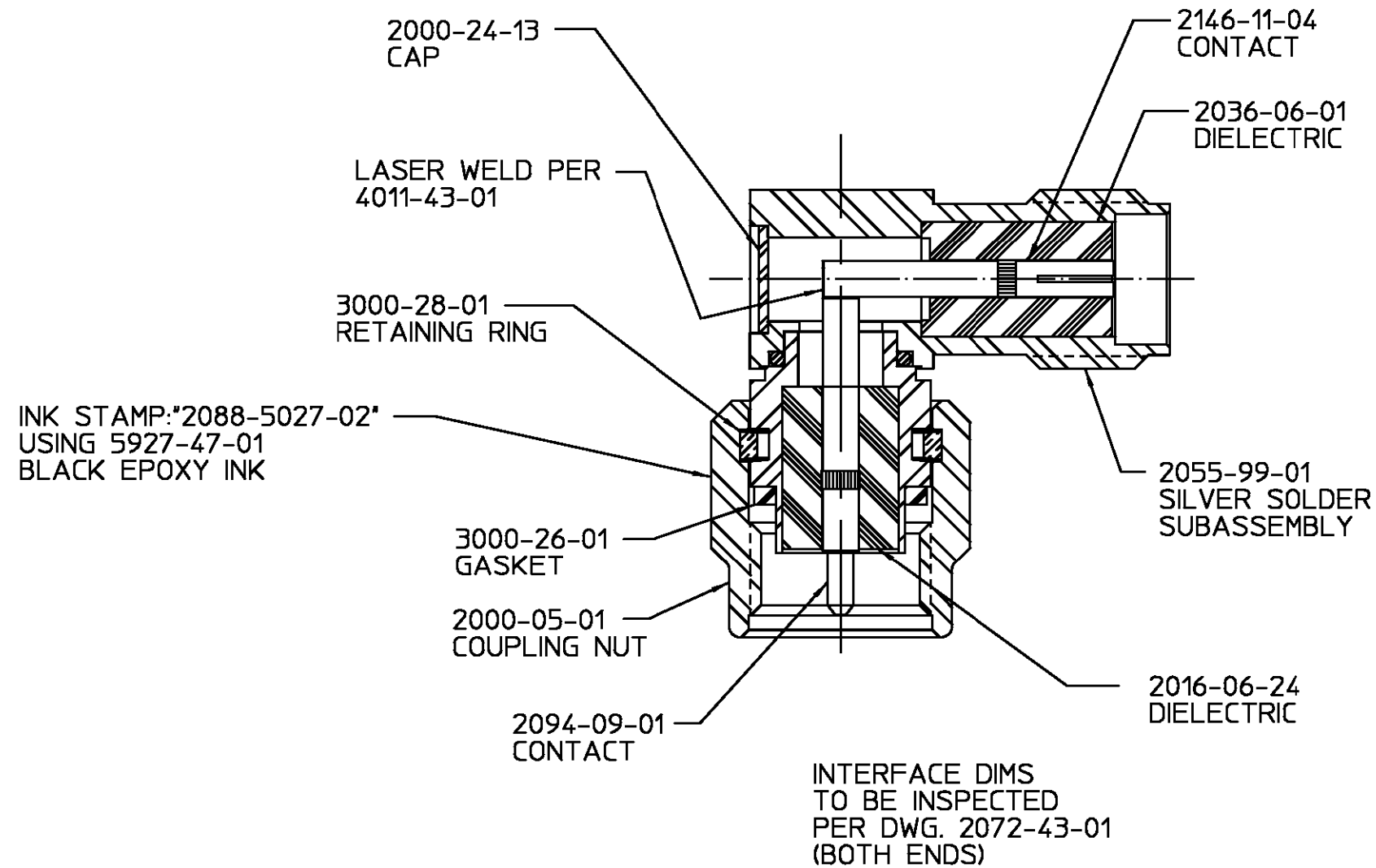


REVISIONS			
REV	DESCRIPTION	DATE	APPROVED
02 ₁	REACTIVATED AND REDRAWN, ECN 97-0001	3/11/97 <i>Ng</i>	3/12/97 <i>DC</i>



DESIGN CONTROL

UNLESS OTHERWISE SPECIFIED DIMENSIONS ARE IN INCHES, AND BEFORE PLATING. ALL ANGLES ARE DEGREES. FRAC. DEC. ANGLES ± 1/64 ±.005 ± 1°	DRAWN BY BB DATE 9-25-89	AMP AMP Incorporated 140 Fourth Avenue Waltham, MA 02451-7599		
	CHECKED BY CW DATE 9-25-89			
These drawings and specifications are the property of M/A-COM Incorporated and shall not be reproduced or copied or used in whole or in part as the basis for the manufacture or sale of item(s) without written permission.	APP'D BY <i>NGB</i> DATE 9-25-89	TITLE OSM HIGH FREQ RIGHT ANGLE PLUG TO JACK ADAPTER		
	SIZE B	CODE IDENT NO. 26805	2088-5027-50	REV 02 ₁
	SCALE 5:1	CABLE TYPE N/A	SHEET 1 OF 1	

AMP PART # 1084020
SHEET 1 OF 1 REV A